



INSTALLATION INSTRUCTIONS FOR 12V SL-33 & SL-40 UNDERWATER LIGHT FIXTURES

INSPECTED BY:

INSTALLATION FOR UNDERWATER MOUNTING:

CAUTION: NOT FOR USE IN SWIMMING POOL OR SPA APPLICATIONS. THE SL-33 & SL-40 UNDERWATER FIXTURES ARE FOR USE IN FOUNTAINS, WATER GARDENS, WATERFALLS, SPILLWAYS AND PONDS THAT ARE NOT INTENDED FOR THE COMPLETE OR PARTIAL IMMERSION OF PERSONS.

NOTE: To prevent electrical shock, disconnect transformer from electrical supply before installation or service.

NOTE: Leave enough extra cable to be able to freely remove fixture from water for servicing. Do not pull on the cable as this may cause the liquid tight seal on the fixture to break which will void the warranty and result in possible leakage.

NOTE: Do not loosen or remove the liquid tight connector. This will damage the factory installed seal which will void the warranty and result in possible leakage.

NOTE: The end of the underwater lead cable must be potted to prevent water and moisture from entering the cable. Connection of cable must be made above the water line and minimum 4 feet from waters edge. We recommend using "The Octopus" FA-H20-JB underwater junction box (sold separately). All underwater fixtures come standard with 15 feet of 18/2 SJTOW cord. Longer lengths are also available – consult factory for details.

Installation without aiming bracket:

1. Place fixture at desired location within fountain, pond or water feature.
2. Place rocks around fixture to keep it in place.
3. Route lead wire to 12V power source and make connection. Use approved gel filled wire nuts.
4. Turn on 12V power supply and check for proper operation.

Installation with aiming bracket (-AB):

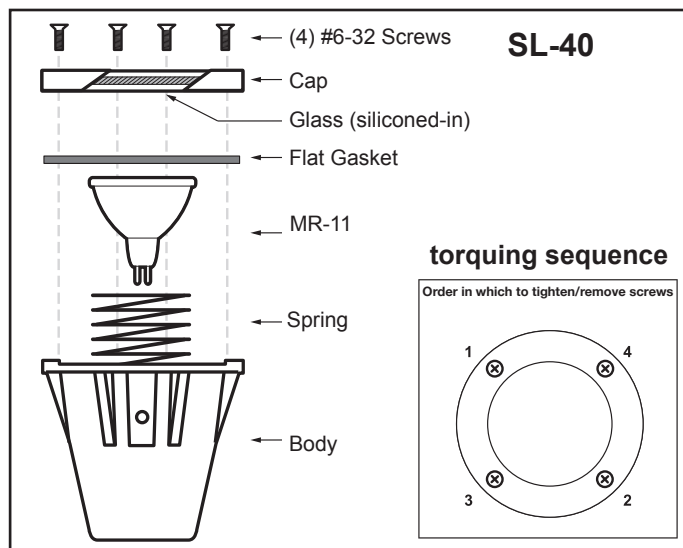
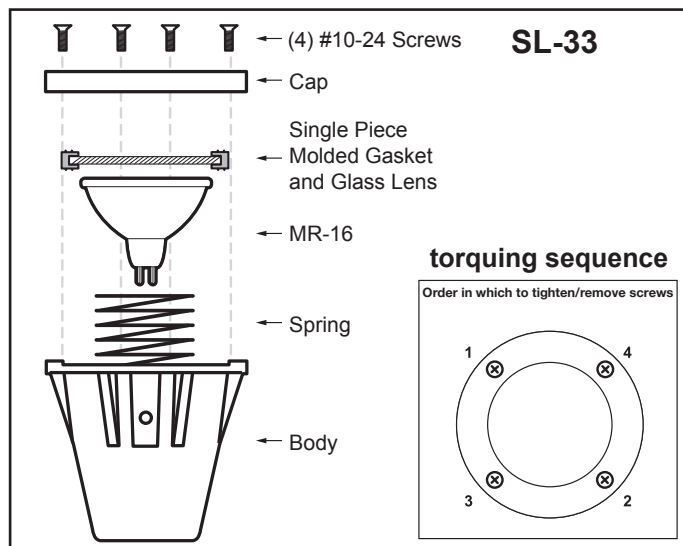
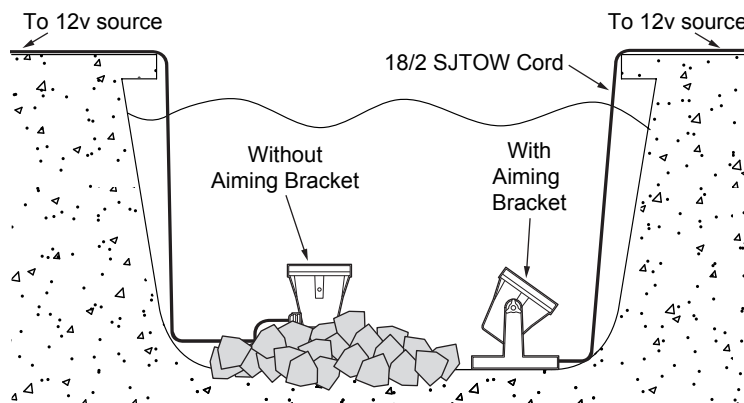
1. Place fixture at desired location within fountain, pond or water feature. Holes in bottom of aiming bracket can be used to attach bracket to bottom/side surface if needed.
2. Loosen thumb screws on aiming bracket, adjust fixture to desired angle then tighten thumb screws firmly.
4. Route lead wire to 12V power source and make connection. Use approved gel filled wire nuts.
5. Turn on 12V power supply and check for proper operation.
6. To re-adjust fixture angle, turn off power and repeat Step 2.

LAMP INSTALLATION/REPLACEMENT

To re-lamp **SL-33**, remove fixture from water while being careful not to stress the liquid tight connector on fixture. Remove (4) #10-24 screws from lens cap with Phillips #2 screwdriver and remove lens cap, gasket and lens. Pull MR-16 Bi-Pin lamp away from socket to release. Check label inside fixture for correct lamp and wattage and insert new MR-16 Bi-Pin lamp into socket. Re-assemble lens, gasket and lens cap onto fixture making sure gasket seats properly to form water tight seal. Insert 4 screws and tighten in an alternating torque sequence to ensure proper water tight seal. See illustration on the right.

To re-lamp **SL-40**, remove fixture from water while being careful not to stress the liquid tight connector on fixture. Remove (4) #10-24 screws from lens cap with Phillips #2 screwdriver and remove lens cap and gasket. Pull MR-11 Bi-Pin lamp away from socket to release. Check label inside fixture for correct lamp and wattage and insert new MR-11 Bi-Pin lamp into socket. Re-assemble lens cap and gasket onto fixture making sure gasket seats properly to form water tight seal. Insert 4 screws and tighten in an alternating torque sequence to ensure proper water tight seal. See illustration on the right.

CAUTION: Do not exceed maximum wattage marked on fixture label.



IMPORTANT SAFETY INSTRUCTIONS TO REDUCE THE RISK OF FIRE AND INJURY TO PERSONS:

1. Light bulb gets hot quickly; turn off, unplug/disconnect and allow to cool down before replacing the light bulb.
2. **DO NOT** touch hot lens, use guard or enclosure.
3. **DO NOT** look into light bulb when on.
4. Keep light bulb away from materials that may burn.
5. Use only with wattage/light bulb marked on fixture warning and instructions.
6. Use the correct light bulb base with the correct socket.
7. **DO NOT** touch light bulb until cool.
8. **DO NOT** operate fixture with missing or damaged shield or lens.