



BARBECUE LIGHTS: MINI ROUND BACK BQ-FC04 CLAMP SERIES

TYPE

SPECIFICATIONS

- CONSTRUCTION:** 316 stainless steel housing
- ARM:** 12" tall 316 stainless steel rigid stem with a 16" stainless steel flex arm on top and clear weatherproof polyolefin cover over flex arm
- MOUNT:** 3" (max opening 2") or 5" (max opening 3.5") stainless steel clamp
- FINISH:** Stainless Steel – Brushed
- LENS:** High impact clear tempered flat glass
- O-RING:** High temperature red silicone, 70 durometer
- SWITCH:** On/Off push button with weatherproof rubber boot cover

12v ELECTRICAL SPECIFICATIONS:

- LED SUPPLIED:** 3w MR11 GU5.3 Super Saver (L-68)
40,000 hours average rating
- SOCKET:** High temperature ceramic GU5.3 bi-pin,
250°C silicone insulated lead wires
- WIRING:** Black 10 foot 18/2 zip cord from base of fixture (12v only)
For 25 foot 16/2 wire add-25F to catalog number

ORDERING INFORMATION

CATALOG NO.	DESCRIPTION	LAMP	SHIP WEIGHT
12v BQFC304L68SS	3" Clamp Mount BBQ Light	3w MR11 LED SS	4.0 lbs.
BQFC504L68SS	5" Clamp Mount BBQ Light	3w MR11 LED SS	4.0 lbs.

ACCESSORIES

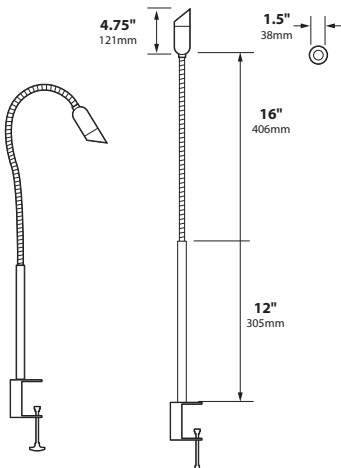
FA-BQCOVER	Vinyl Protective Cover For Flex-Arm BQ Lights w/ Drawstring Closure
-------------------	--



FC3 3"Clamp



FC5 5"Clamp



BQ-04-FC Cut Sheet 082918



JOB INFORMATION	
Type:	Date:
Job Name:	
Cat. No.:	
Lamp(s):	
Specifier:	
Contractor:	
Notes:	
FOCUS INDUSTRIES INC. 25301 COMMERCENTRE DRIVE LAKE FOREST, CA 92630	
www.focusindustries.com sales@focusindustries.com (949) 830-1350 • FAX (949) 830-3390	