



LED COMMERCIAL BRICK LIGHTS

SL-02V LEDP SERIES **GOGREEN**

TYPE

SPECIFICATIONS

CONSTRUCTION: Stamped aluminum or brass 8 louver vertical rail light.
Stamped surface mounting bracket - no back box required.

3 LENS OPTIONS:

SL-02V-LEDP: Standard white acrylic; creates warm 2700K incandescent like color
SL-02V-LEDP-SB: Sand Blast clear acrylic; creates soft 3000K halogen like color
SL-02V-LEDP-CL: Clear acrylic; bright halogen 3000K color

GASKET: Black neosponge closed cell; .190" thickness

LIGHT SOURCE: 12v, 5w integrated LED flat panel with external driver, warm white 3000K
350 lumens (3000K) / 380 lumens (5200K)

LIFETIME RATING: 50,000 hours

SOCKET: None

DRIVER: 5w output, 12v AC input. Maximum distance from fixture is 18 feet.
For use with magnetic transformers only

VOLTAGE RANGE: 9 to 18 volts. Optimum operating range of 10 to 15 volts for consistent performance and brightness.

WIRING: Red(+) and Black(-) 18 gauge zip cord from LED panel. Connects to external driver
Red(+) and Black(-) 18 gauge zip cord.
Additional 6' 18/2 zip cord supplied for wiring external driver to main cable.
For 25 foot 16/2 fixture lead wire add **-25F** to catalog number.

CONNECTION: FA-05 Quick Connector (not supplied) from LED driver to main cable
(12/2, 10/2 or 8/2 only)

MOUNTING: Surface mount bracket
Face plate attaches to bracket with two provided set screws

FINISH: Aluminum - Black texture polyester powder coat; optional finishes available
Brass - Unfinished; optional finishes available

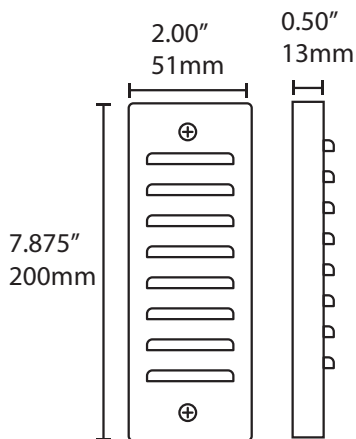
CAUTION: MUST BE POWERED BY LOW VOLTAGE AC MAGNETIC TRANSFORMER ONLY



ORDERING INFORMATION

CATALOG NO.	DESCRIPTION	SHIP WEIGHT
SL-02V5W-LEDP-BLT	Stamped Aluminum 8 Louver Flat Panel LED Rail Light,	1.0 lbs.
SL-02V5W-LEDP-BRS	Stamped Brass 8 Louver Flat Panel LED Rail Light,	2.0 lbs.

Lenses are all standard white acrylic; creates warm 2700K incandescent like color
Add -SB To Part #: Sand Blast clear acrylic; creates soft 3000K halogen like color
Add -CL To Part #: Clear acrylic; bright halogen 3000K color
Add -52 To Part #: 5200K Cool White Flat Panel LED



HW-12 5350-12LED LED Driver



JOB INFORMATION	
Type:	Date:
Job Name:	
Cat. No.:	
Lamp(s):	
Specifier:	
Contractor:	
Notes:	
FOCUS INDUSTRIES INC. 25301 COMMERCENTRE DRIVE LAKE FOREST, CA 92630 www.focusindustries.com sales@focusindustries.com (949) 830-1350 • FAX (949) 830-3390	

Black Texture (Standard)	Antique Verde	Bronze Texture	Camel	White Texture	Hunter Texture	Rust	Weathered Iron	Weathered Brown	Stucco	Rubbed Verde	Chrome Powder	Terra Cotta	Acid Rust	Acid Verde	Black Acid Treatment
-BLT	-ATV	-BRT	-CAM	-WTX	-HTX	-RST	-WIR	-WBR	-STU	-RBV	-CPR	-TRC	-BAR/CAR	-BAV/CAV	-BAT